



## AutoSort 3 - Bow Arm Sorter



### MECHANICAL CHARACTERISTICS

#### Medium Speed

**Nominal Conveyor Widths:**  
24", 30" & 36"

**Sort Rate Capacity:**  
Up to 30 Cartons Per Minute on Sortation Belt Conveyor running 100 to 250 - 350 Feet Per Minute. Sort rate is dependant upon carton size & weight and system design.

**Carton Weight Capacity:**  
Up to 75 pounds, depending on sort rate and system design.

**Compatible Conveyor:**  
Automotion high speed slick top belt sortation conveyor.

**Air Requirements:**  
Nominal operating pressure is 80 psi.

### FEATURES

Automotion's Bow Arm Sorter can be used as an integral sortation component in almost any conveyor system. Automotion's High Speed Induction Conveyor strategically gaps and places the product onto the Automotion Sortation Belt Conveyor. The Bow Arm Diverter gets fired to the fully divert position prior to the carton reaching the arm. The bowed face of the arm diverts the product from the sort conveyor onto a powered or non-powered 45 degree take-away conveyor for further disposition. This diverter will maintain the orientation of the product from the sortation conveyor through the take-away.

The Bow Arm Sorter provides flexibility and effectiveness in handling and separating a wide range of packaged goods and materials. The arm is air operated and can be controlled manually or remotely to meet your specific sortation requirements.

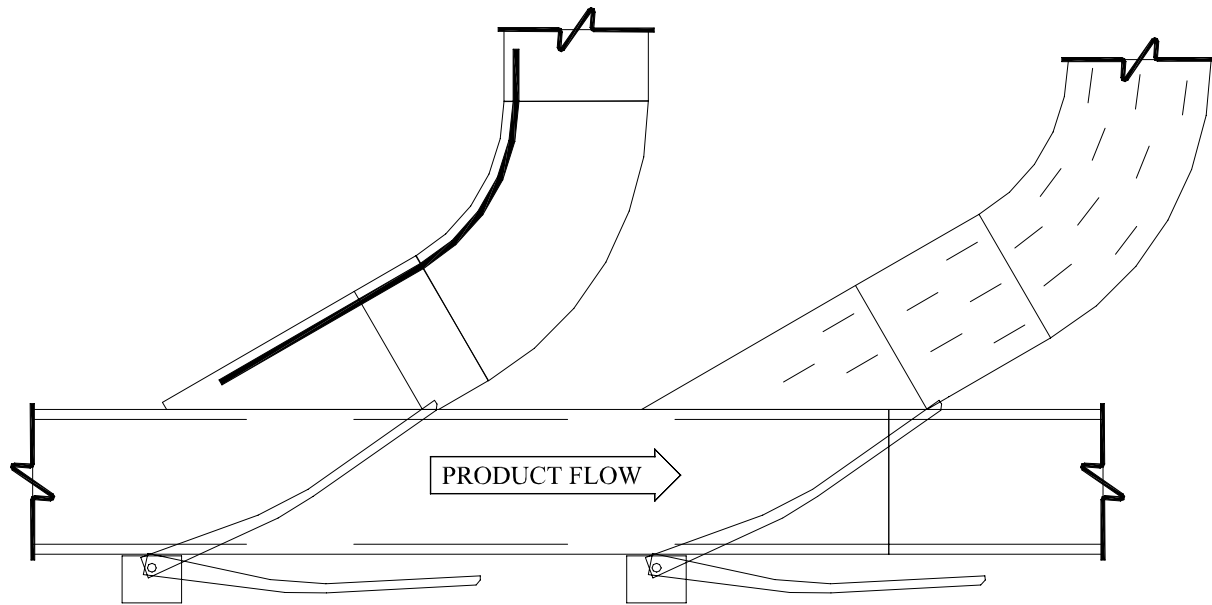
For added flexibility, the medium speed bow arm sort stations are designed to be used with Automotion's standard belt conveyor fitted with slip top belting, but can also be used for live roller divert applications.

### SPECIFICATIONS

**Typical Applications:**  
Shipping Sortation  
Receiving Sortation

**Sortation Belt Conveyor Live Load Capacity:**  
Up to 130 lbs/ft. depending on width, roller centers, supports, etc.





**11000 South Laverne Avenue Oak Lawn, Illinois 60453-5500**  
**Phone: 708-229-3700 Fax: 708-229-3799**  
**[www.automotionconveyors.com](http://www.automotionconveyors.com)**  
**[info@automotionconveyors.com](mailto:info@automotionconveyors.com)**